

N²VIA VIEW

2 port / 4 port PS/2 KVM switch
DVI-Interface

DNV102
DNV104



User's manual

■ **The complete DNV102 contains:**

2-Port NovaView (DNV102)	x 1
User's manual	x 1
Rubber foot pad	x 1 set

■ **The complete DNV104 contains:**

4-Port NovaView (DNV104)	x 1
User's manual	x 1
Rubber foot pad	x 1 set



Copyright Rextron Technology, Inc.

PP5-P1300-000

Printed in Taiwan

Table of Content

■ Introduction

Overview	1
Features.....	2

■ Installations

Console Connection	3
Computers Connection.....	4
Initial Power-up.....	5

■ Operations

Front Panel operation	6
Hot-key commands.....	6

■ Appendices

Specifications.....	9
Troubleshooting	10



Please read this manual thoroughly and follow the **Installation** procedures to prevent any damage to the NovaView or any connecting device.

Introduction

Overview

The NovaView DNV102/DNV104 is a computer switch that allows access to two/four IBM compatible computers from one keyboard, mouse and monitor. Switching between computers is as easy as pressing the push button or entering hot-key commands from your keyboard without installing any interface card and software. The powerful NovaView is independent of the computer operating system, allowing the attached computers to run different applications. The space-saving design enables you to connect all the cables to the back of the DNV102/DNV104 taking the least amount of space on your desk. It is a valuable tool for your computer management.

Automatic Mouse Conversion

This technology enables you to connect computers with PS/2 mouse ports to the NovaView, and control both computers from one PS/2 mouse. The NovaView automatically identifies the mouse and switches to proper mouse protocol.

Features

- Cascade configuration expands system capability
- Auto scan automatically selects computers sequentially
- Supports Microsoft IntelliMouse (Pro), IntelliTrackball
- Hot-key functions allow easy computer access
- Built-in buzzer for hot-key command confirmation
- Keyboard states automatically saved and restored when switching computers
- Operating system independent, transparent to all applications
- True plug and play system configuration
- Keyboard and mouse can be hot plugged at any time
- DVI interface
- DDC2B compatible
- Power-free operation

Installation

Console Connection

Turn your computers off. Connect a PS/2 keyboard and a PS/2 mouse to the mini-DIN-6 ports of the **C** (CONSOLE) marked with **K** and **M** respectively. Then connect your DVI-I monitor cable directly to the DVI-I port of **C** as shown in figure 1.

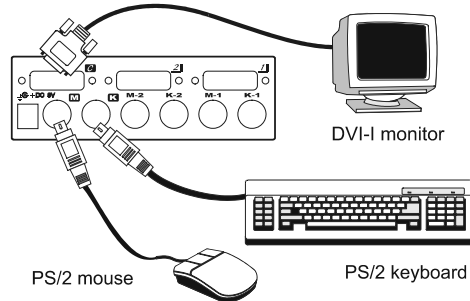


Figure 1: **C** (CONSOLE) Connection

The monitor connected to the DVI-I port of the **C** must be capable of synchronizing with the computer's video signal. If you are uncertain about the monitor type, please consult the monitor user's manual. *The NovaView consumes negligible power and is designed to run reliably without external power adapter.*

Computers Connection

Now you have two computers to connect to the NovaView. Use a male-to-male Mini-DIN-6 cable to connect from the first PC's keyboard port to the corresponding **K1** port; and, use another male-to-male Mini-DIN-6 cable from the PC's mouse port to the **M1** port. Connect your computer's DVI-I port to the DVI-I port of the NovaView as shown in figure 2. Follow the same procedures for the second computer using **K2** and **M2** port.

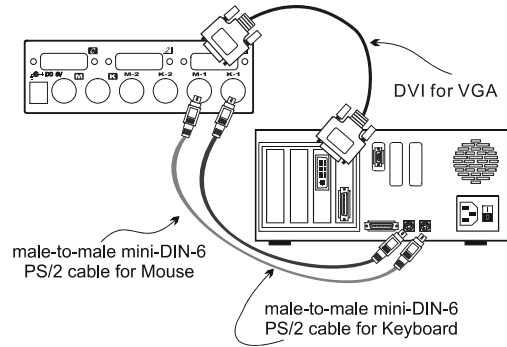


Figure 2: COMPUTER Connection

Initial Power-up

Make sure all computers and NovaView are powered down during installation. After connection, you just power up the computers; the NovaView will get enough power to operate from the computers. This procedure ensures the NovaView receive computer settings correctly when computer boots. Therefore, the NovaView generates correct responses and allows both computers to boot successfully without user intervention.

Operations

Front Panel operation

You may switch to a different computer by pressing the front panel push-button directly or by issuing hot-key commands. The front-panel red indicator changes to reflect the computer port selected. The indicator flashes while in either Auto Scan or Manual Scan mode.

Hot-key commands

The Hot-key command is a short keyboard sequence to select a computer, to activate computer scan, etc. NovaView interprets keystrokes for hot-keys all the time. A hot-key sequence starts with two left **Ctrl** keystrokes followed by one or two more keystrokes. A built-in buzzer generates a high-pitch beep for correct hot-key command; otherwise, one low-pitch beep for error and the bad key sequence will not be forwarded to the selected computer.

- To select a computer:

left **Ctrl** + *left* **Ctrl** + **1**

Selects the computer at port 1.

left **Ctrl** + *left* **Ctrl** + **2**

Selects the computer at port 2

Do not use the keypad at the right of the keyboard.

- To start *Auto Scan*, automatically scan power-on computers one by one at a fixed interval:

left **Ctrl** + *left* **Ctrl** + **F1**

To abort the *Auto Scan* mode, press the left **Ctrl** key twice. When *Auto Scan* detects any keyboard or mouse activity, it suspends the scanning till the activity stops; it then resumes with the next computer in sequence. The length of the *Auto Scan* interval (*Scan Rate*) is adjustable, see below.

- *Manual Scan* enables you to manually switch back and forth between power-on computers.

left **Ctrl** + *left* **Ctrl** + **F2**

Press **↑** or **↓** to select the previous or the next computer in sequence. And, press any other key to abort the *Manual Scan*.

- To adjust Scan Rate, this sets the duration before switching to the next computer in Auto Scan:

left **Ctrl** + *left* **Ctrl** + **F3**

The NovaView generates 1 to 4 beeps indicating scan interval of **3**, **8**, **15** and **30** seconds respectively.

- To adjust keyboard typematic rate (characters/sec), this setting over-rides that of BIOS and any operating system:

left **Ctrl** + *left* **Ctrl** + **F4**

The NovaView generates 1 to 4 beeps corresponding to **10**, **15**, **20** and **30** characters/sec respectively.



Appendices

Specifications	DNV102	DNV104
Computer port number	2	4
Cascade control PC number	Up to 4	Up to 16
Front panel button control	1	4
Hot plug-and-play	Yes	Yes
Hot-key control	Yes	Yes
Automatic scan interval	3, 8, 15, 30 seconds	3, 8, 15, 30 seconds
Cable Length (Max)	30M(100ft) at CONSOLE 30M(100ft) at PC	30M(100ft) at CONSOLE 30M(100ft) at PC
Monitor Type	<i>DVI</i>	<i>DVI</i>
Computer keyboard connector	PS/2	PS/2
Mouse	PS/2	PS/2
monitor	<i>DVI-I female</i>	<i>DVI-I female</i>
Console keyboard connector	PS/2	PS/2
Mouse	PS/2	PS/2
monitor	<i>DVI-I female</i>	<i>DVI-I female</i>
H x W x D (mm)	40 x 124 x 70	44 x 220 x 130
(in.)	1.6 x 4.9 x 2.7	1.7 x 8.7 x 5.1
size	Micro	Compact
weight	420g	900g
Power supply (min.)	Optional (DC 9V,500mA)	9VDC,500mA

Troubleshooting

Ensure that all cables are well seated. Check that keyboard/mouse cables are not swapped. Label and bundle the cables for each computer to avoid confusion when connected to the NovaView.

Symptom	Causes	Solutions
Keyboard or mouse does not work	Improper power-up sequence. Keyboard or mouse not properly initialized.	Press and hold down the push button for 3 seconds, the NovaView will re-initialize the keyboard and mouse. If problem persists, unplug the keyboard or mouse, wait for a few seconds then plug it back.
Keyboard error on boot	Loose keyboard connection.	Make sure keyboard cables are well seated.
Keyboard strokes shifted	The computer was in shifted state when last switched	Press both SHIFT keys.
Auto Scan does not switch PC automatically and NovaView beeps	All PCs are off or only one PC is turned on. Scan mode works for power-on computers only.	Turn computers on. Press left Ctrl key twice to abort Auto Scan mode.

The  and  keys do not work in Manual Scan	All PCs are off or only one PC is turned on. Scan mode works for power-on computers only.	Turn computers on. Press any other key to abort Manual Scan mode.
The NovaView fails to function occasionally.	Computers do not supply enough power.	Add a power adapter with minimum of DC 9V 500mA output rating to the SPARE power jack.
Not functional in cascade configuration.	In master/slave configuration, the master unit must have equal or more PC ports than that of slaves. If DNV102 is a slave, its master can only be DNV102.	DNV102 can be a slave of DNV102, DNV104. If DNV102 is a master, then DNV104 can't be its slave.

Limited Warranty

IN NO EVENT SHALL THE DIRECT VENDOR'S LIABILITY FOR DIRECT OR INDIRECT, SPECIAL, INCIDENTAL OR CONSEQUENTIAL DAMAGES, LOSS OF PROFIT, LOSS OF BUSINESS, OR FINANCIAL LOSS WHICH MAY BE CAUSED BY THE USE OF THE PRODUCT EXCEEDS THE PRICE PAID FOR THE PDOCUMENT.

The direct vendor makes no warranty or representation, expressed or implied with respect to the contents or use of this documentation, and especially disclaims its quality, performance, merchantability, or fitness for any particular purpose.

The direct vendor also reserves the right to revise or update the product or documentation without obligation to notify any user of such revisions or updates. For further information, please contact your direct vendor.

All the brand names and registered trademarks are the property of their respective owners.